



-
- G2010** Front Entry Enclosure, All-Stainless Steel Eyewash and Shower Safety Station, Bottom Drain.
 - G2010PS** Same as above except with proximity switches.
-



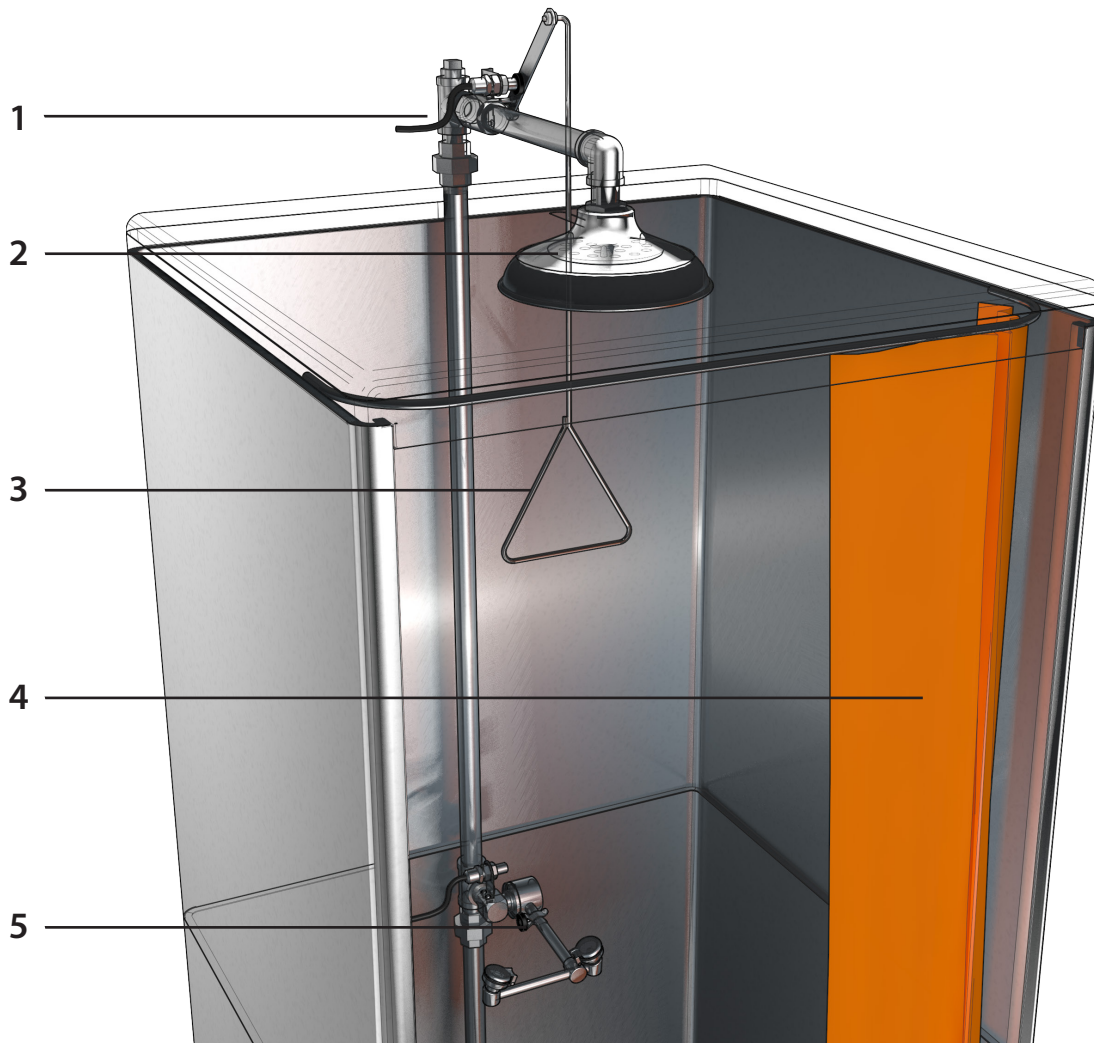
Contents

Introduction.....	2
Installation, Mechanical.....	3
Installation, Proximity Switch.....	4
Maintenance	5



- G2010** Front Entry Enclosure, All-Stainless Steel Eyewash and Shower Safety Station, Bottom Drain.
- G2010PS** Same as above except with proximity switches.

Model No.	Length	Width	Height	Weight
G2010	36-5/8"	36-5/8"	98-1/4"	



Item	Description	Material	Part No.
1	Shower Valve	Stainless Steel	AP620-335H
2	Shower Head Assembly	Stainless Steel	AP450-048
3	Pull Rod, 29"	Pull Rod, 29"	AP050-079
4	Modesty Curtain Assembly	12 mil, Orange Vinyl, Cleanroom Approved	AP250-075
5	Eyewash Heads, GS-Plus	Stainless Dust Covers	AP470-001DC



- **G2010** Front Entry Enclosure, All-Stainless Steel Eyewash and Shower Safety Station, Bottom Drain.
- **G2010PS** Same as above except with proximity switches.

The G2010 stainless steel shower and eyewash enclosed safety station is for use in clean room environments. All seams on the unit are closed.

The unit is all stainless steel construction with a fiberglass grate and a clean room approved modesty curtain for privacy.

General Notes

Installation of the G2010 unit requires that mechanical and electrical connections be made. Installation should be performed only by a licensed plumber and a licensed electrician. All work must be done in accordance with applicable regulations, including plumbing codes, local

electrical codes, and OSHA regulations pertaining to lockout of electrical equipment.

Mechanical Assembly

- Determine whether the unit will be bottom or top feed. The unit comes with a loose 1" ips hex socket plug for user installation to plug the unused inlet. Be sure to seal and tighten the plug securely to avoid any leaking.
- Connect shower assembly to the top of the unit ensuring to tighten the 1" IPS union securely.
- Unit comes with a 4" NPT threaded half coupling for bottom draining.
- Secure unit to the floor using 4 of the 8 side tabs on the base of the unit. (4) mounting floor tabs are supplied with the unit.
- Install modesty curtain using (9) modesty curtain rings supplied with the unit.
- Test unit for leaks and make sure that both the shower and eyewash work properly.



- **G2010** Front Entry Enclosure, All-Stainless Steel Eyewash and Shower Safety Station, Bottom Drain.
- **G2010PS** Same as above except with proximity switches.

Proximity Switch Assembly

Proximity switches are shipped loose and require installation on the shower and eyewash portion of the unit. For normally open monitoring circuit, wire switches in parallel using (black) lead and common (red) lead. For normally closed monitoring circuit wire, switches

in parallel using (blue) lead and common (red) lead. Maximum wattage on the proximity switches is 100 Watts. Proximity switch sensor face must be between 1/8"-1/4" (3-6mm) from magnet to operate properly.

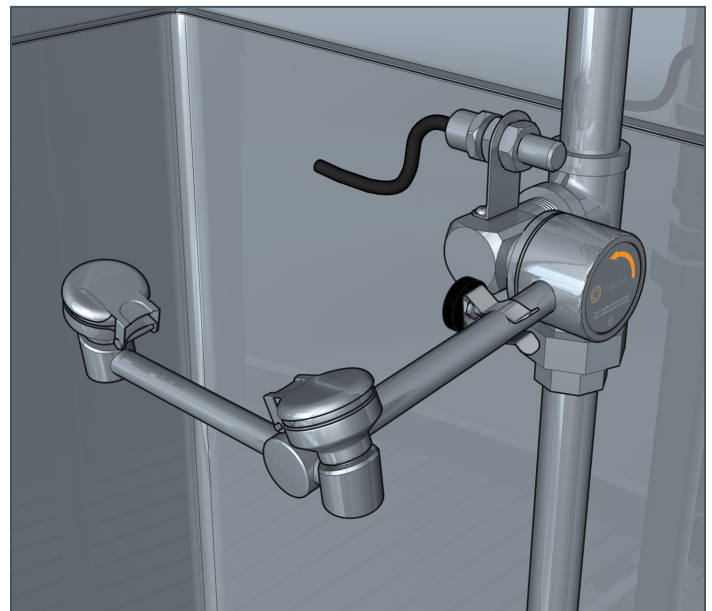
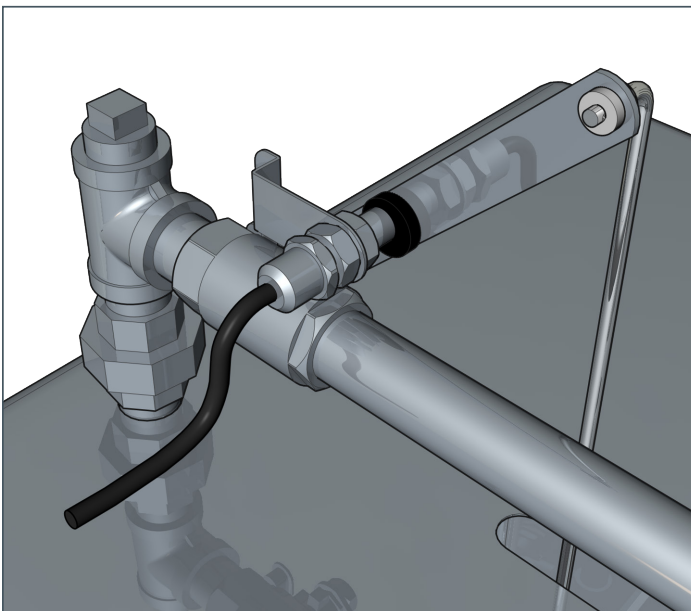
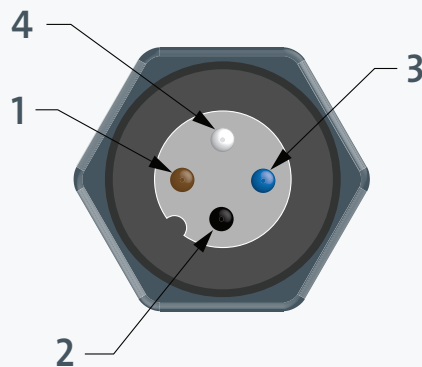


Figure 1: Pinout

Brown: Normally Closed
Black: Common
Blue: Normally Open
White: Not Used



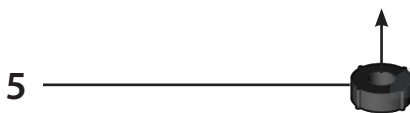
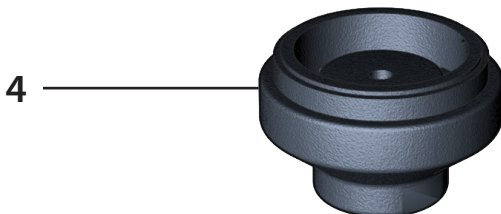
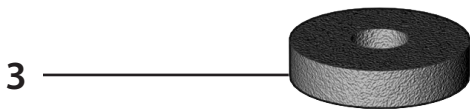
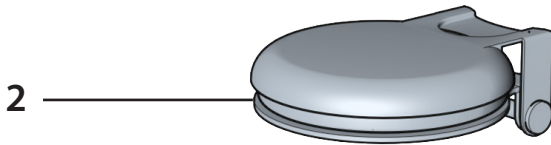
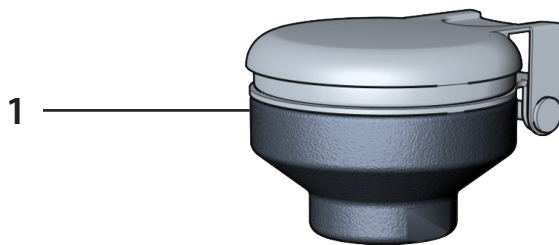


- **G2010** Front Entry Enclosure, All-Stainless Steel Eyewash and Shower Safety Station, Bottom Drain.
- **G2010PS** Same as above except with proximity switches.

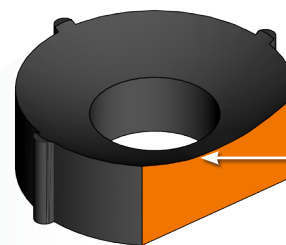
Maintenance

This Guardian product is equipped with GS-Plus spray heads. Each head features a tough polypropylene plastic construction, stainless steel dust covers, easily accessible 1.8 GPM flow control, and a dense polyurethane filter.

Unique design provides a consistently soft, full spray of water across a range of working pressure from 20 to 100 psi.



Item	Description	Part No.
1	Spray Head Assembly	AP470-001DC
2	Stainless Steel dust cover and cap assembly	AP470-040
3	Polyurethane 60 ppi Filter	470-004
4	Plastic body	470-001
5	Flow Control, 1.8 GPM	470-005



IMPORTANT
In order to operate properly, the flow control must be inserted into the body *concave end first*.