



□ **G1896** Eyewash, Pedestal Mounted, PVC Construction with Stainless Steel Valve

Application: Free standing, pedestal mounted eyewash. Unit is constructed of PVC, PVC-coated components and a stainless steel valve for superior corrosion resistance. Ideal for industrial environments where harsh acids and caustics are present. Two GS-Plus™ spray-type outlet heads deliver a flood of water for rinsing eyes.

Spray Head Assembly: Two GS-Plus™ spray heads. Each head has a “flip top” dust cover, internal flow control and filter to remove impurities from the water flow.

Valve: 1/2" IPS Type 316 stainless steel stay-open ball valve. Valve has stainless steel ball and PTFE seals.

Bowl: 11-3/4" diameter orange ABS plastic.

Pipe and Fittings: Schedule 80 PVC.

Supply: 1/2" NPT female inlet.

Waste: 2" socket weld female outlet.

Sign: ANSI-compliant identification sign.

Quality Assurance: Unit is completely assembled and water tested prior to shipment.

Available Options

□ **G6020** Thermostatic mixing valve precisely blends hot and cold water to deliver tepid water as required by ANSI Z358.1-2014. Refer to “Thermostatic Mixing Valves” section for complete technical and product selection information.

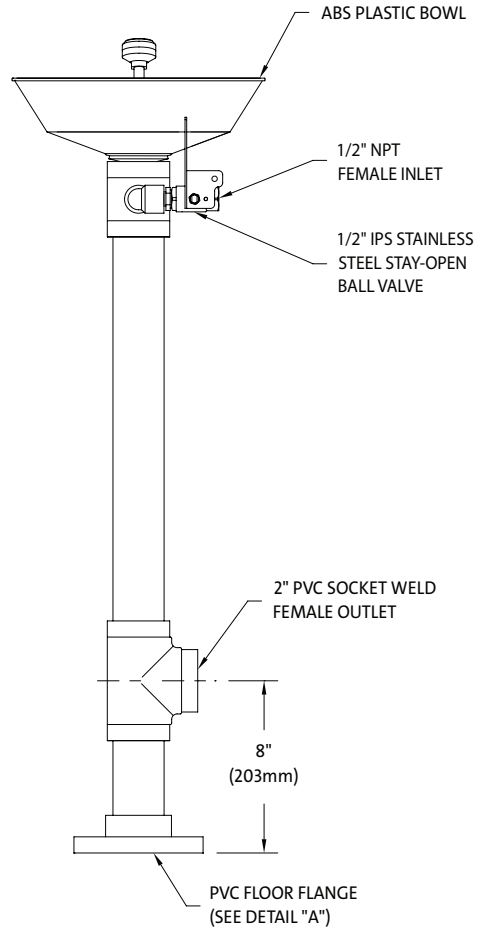
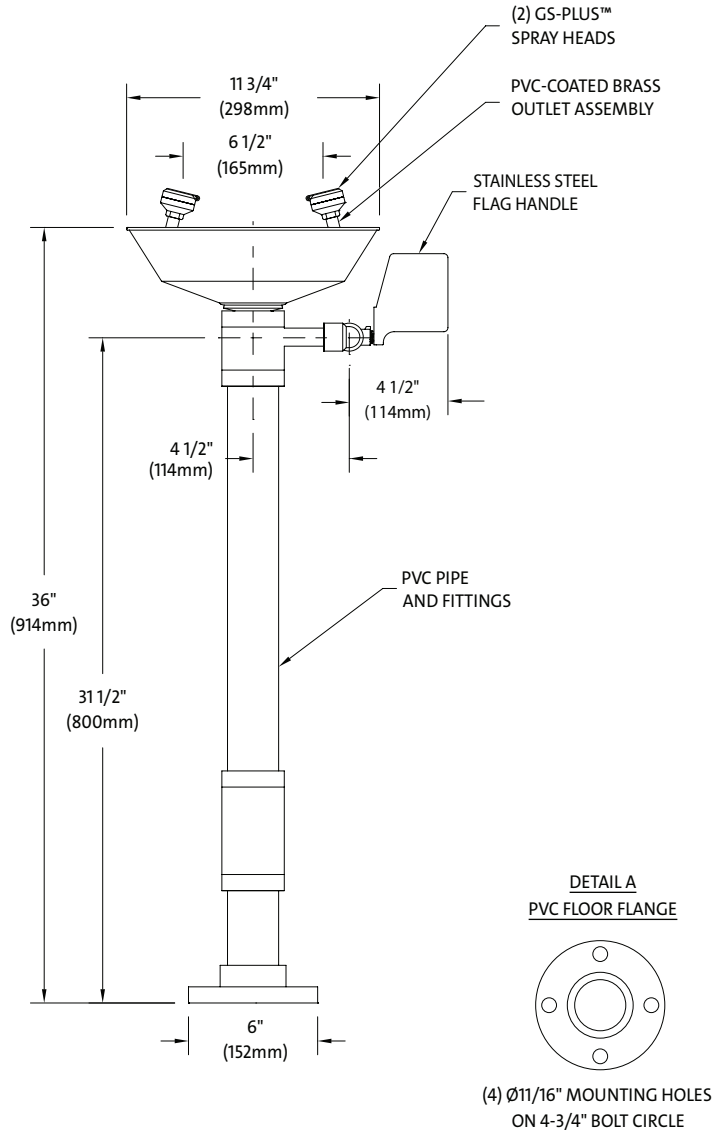
□ **GRN** Green ABS plastic bowl.

□ **YEL** Yellow ABS plastic bowl.





□ G1896 Eyewash, Pedestal Mounted, PVC Construction with Stainless Steel Valve



NOTE:
EACH GS-PLUS™ SPRAY HEAD HAS A "FLIP-TOP" DUST COVER, INTERNAL FLOW CONTROL AND FILTER TO REMOVE IMPURITIES FROM THE WATER FLOW.

THIS SPACE FOR ARCHITECT/ENGINEER APPROVAL

Sign Included



Due to continuing product improvement, the information contained in this document is subject to change without notice. All dimensions are ± 1/4" (6mm). rev. 021023

