



### □ **G1894** Eyewash, Pedestal Mounted, All-Stainless Steel

**Application:** Free standing, pedestal mounted eyewash. Constructed entirely in stainless steel. Ideal for use in highly corrosive environments and cleanroom applications. Two GS-Plus™ spray-type outlet heads deliver a flood of water for rinsing eyes.

**Spray Head Assembly:** Two GS-Plus™ spray heads. Each head has a “flip top” dust cover, internal flow control and filter to remove impurities from the water flow.

**Valve:** 1/2" IPS stainless steel stay-open ball valve. Valve has stainless steel ball and PTFE seals.

**Bowl:** 11-1/8" diameter stainless steel.

**Pipe and Fittings:** Schedule 40 stainless steel. Furnished with orange polyethylene pipe covers for high visibility and corrosion resistance.

**Supply:** 1/2" NPT female inlet.

**Waste:** 1-1/4" NPT female outlet.

**Sign:** ANSI-compliant identification sign.

**Quality Assurance:** Valve, bowl and spray head assembly is factory assembled and water tested prior to shipment.

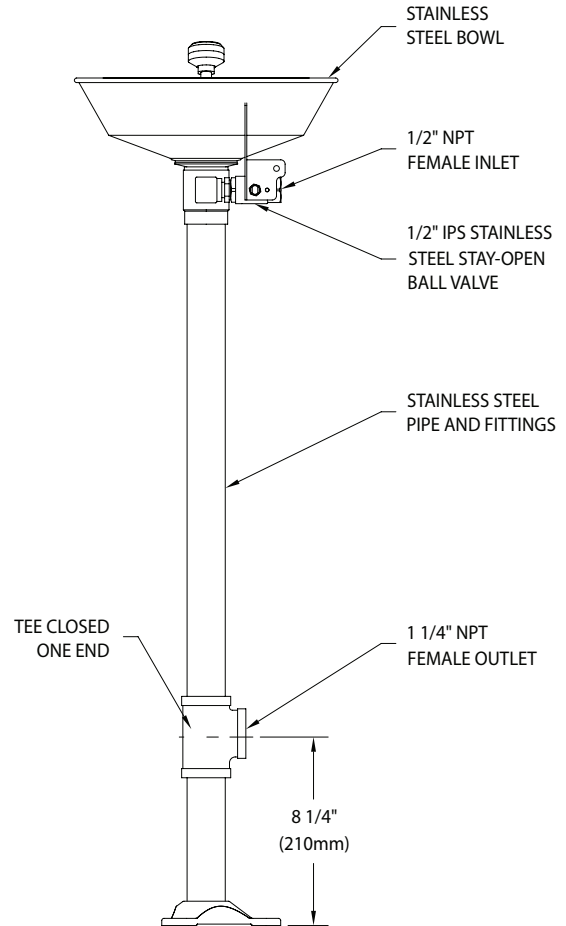
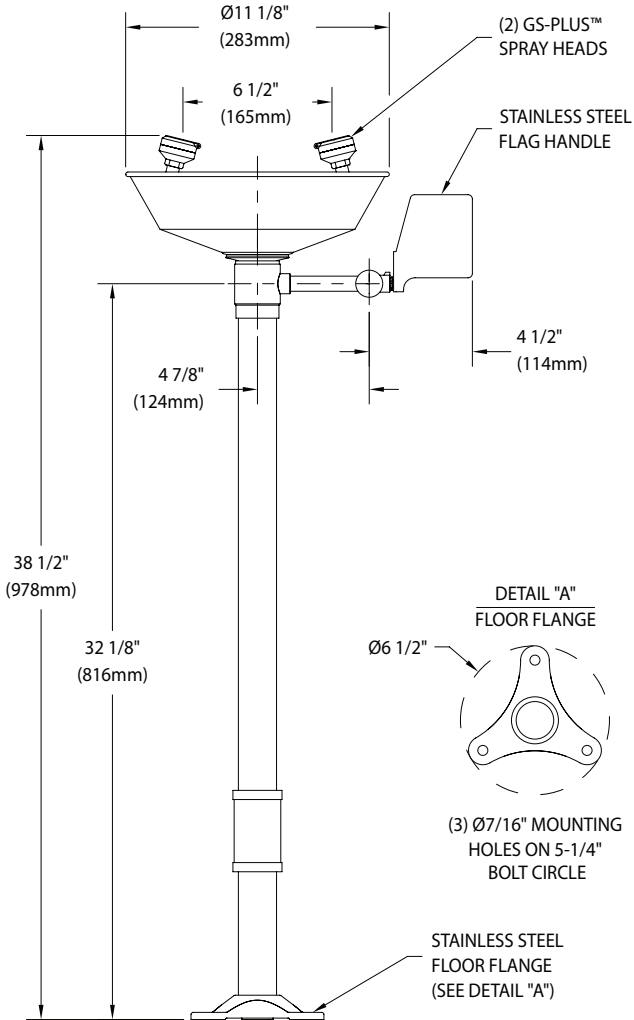
### Available Options

- **G6020** Thermostatic mixing valve precisely blends hot and cold water to deliver tepid water as required by ANSI Z358.1-2014. Refer to “Thermostatic Mixing Valves” section for complete technical and product selection information.
- **BC** Stainless steel bowl cover. Cover protects unit against contaminants. Cover is automatically raised when unit is activated.
- **HFC** Hand and foot control. Eyewash is activated by flag handle or foot treadle.
- **HS** Auxiliary hand-held drench hose for rinsing eyes, face or body.





### □ G1894 Eyewash, Pedestal Mounted, All-Stainless Steel



#### NOTES:

1. EACH GS-PLUS™ SPRAY HEAD HAS A "FLIP-TOP" DUST COVER, INTERNAL FLOW CONTROL AND FILTER TO REMOVE IMPURITIES FROM THE WATER FLOW.
2. REVERSING THE TWO LOWEST PIPE NIPPLES RAISES THE DRAIN OUTLET TO 23-7/8" (606mm) A.F.F.

THIS SPACE FOR ARCHITECT/ENGINEER APPROVAL

Due to continuing product improvement, the information contained in this document is subject to change without notice. All dimensions are ± 1/4" (6mm). rev. 011020

Sign Included

