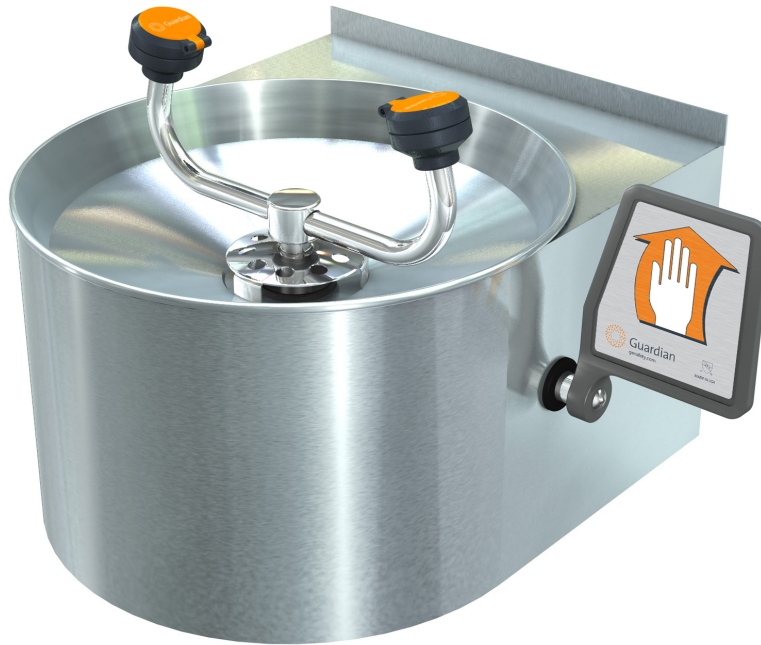




### □ **G1813** Eyewash, Wall Mounted, Stainless Steel Bowl and Skirt



**Application:** Eyewash for wall mounting. Unit has stainless steel bowl and wrap-around skirt to conceal valve, drain and piping. Ideal for laboratories and other areas where clean, uncluttered appearance is desired.

**Spray Head Assembly:** Two GS-Plus™ spray heads. Each head has a “flip top” dust cover, internal flow control and filter to remove impurities from the water flow.

**Valve:** 1/2" IPS brass stay-open ball valve. Valve is US-made with chrome plated brass ball and PTFE seals.

**Bowl:** 11-1/8" diameter stainless steel with wrap-around skirt.

**Mounting:** Welded stainless steel wall bracket.

**Supply:** 1/2" NPT female inlet.

**Waste:** 1-1/4" NPT female outlet.

**Sign:** ANSI-compliant identification sign.

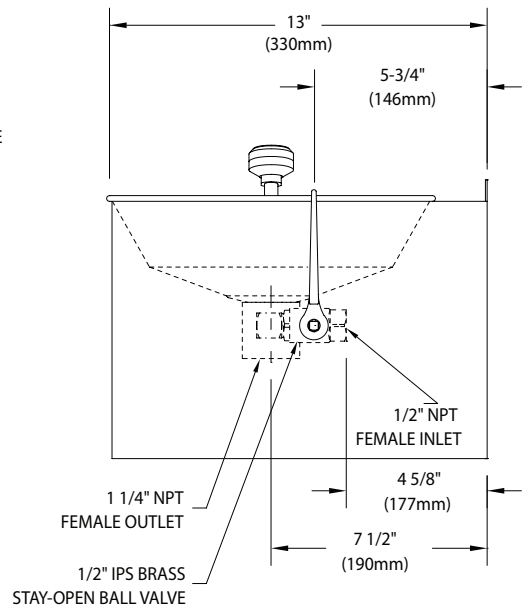
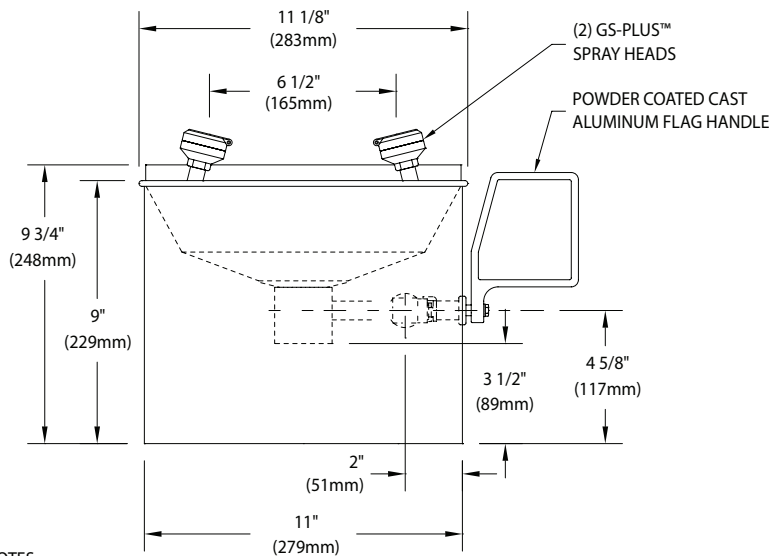
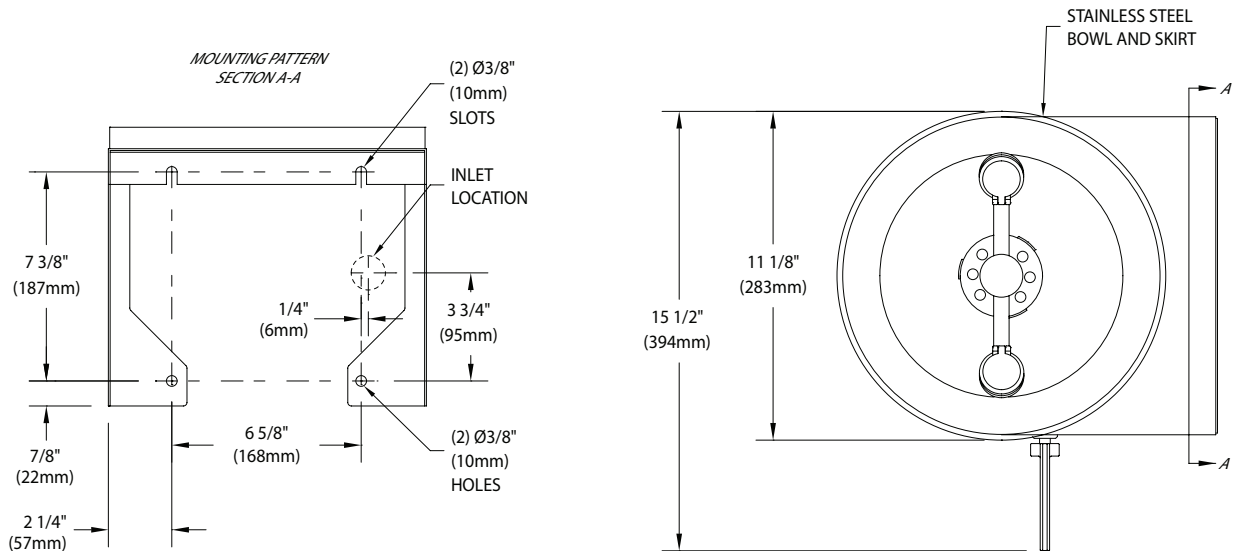
**Quality Assurance:** Unit is completely assembled and water tested prior to shipment.

### Available Options

- **G6020** Thermostatic mixing valve precisely blends hot and cold water to deliver tepid water as required by ANSI Z358.1-2014. Refer to “Thermostatic Mixing Valves” section for complete technical and product selection information.
- **HS** Auxiliary hand-held drench hose for rinsing eyes, face or body.
- **T** Chrome plated brass tailpiece and trap with 1-1/2" IPS waste connection.
- **TP** 1-1/2" OD chrome plated brass tailpiece.



### □ G1813 Eyewash, Wall Mounted, Stainless Steel Bowl and Skirt



**NOTES:**

1. EACH GS-PLUS™ SPRAY HEAD HAS A "FLIP-TOP" DUST COVER, INTERNAL FLOW CONTROL AND FILTER TO REMOVE IMPURITIES FROM THE WATER FLOW.
2. UNIT SHOULD BE INSTALLED SO THAT WATER FLOW PATTERN IS POSITIONED BETWEEN 33" AND 53" ABOVE FLOOR.

THIS SPACE FOR ARCHITECT/ENGINEER APPROVAL

Sign Included



Due to continuing product improvement, the information contained in this document is subject to change without notice. All dimensions are ± 1/4" (6mm). rev. 080918

