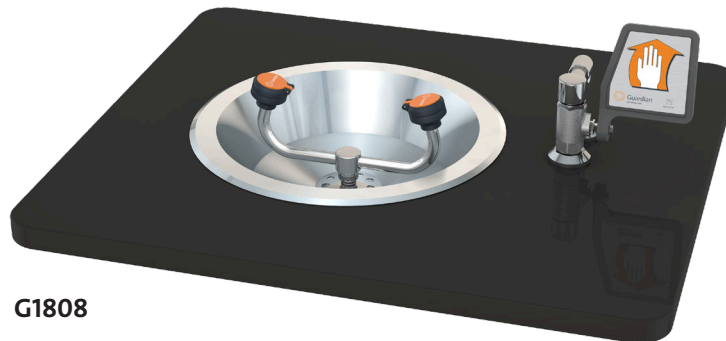
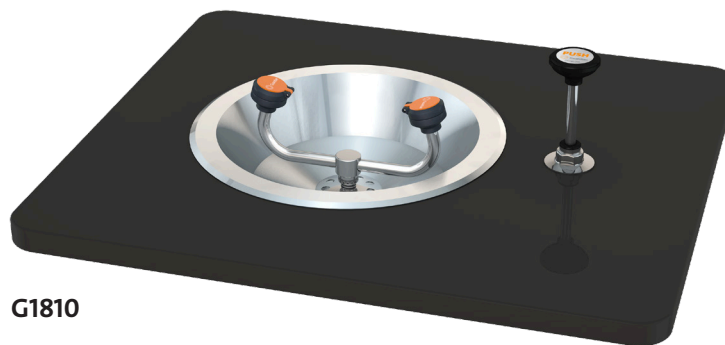




- G1808** Eyewash, Recess Deck Mounted, Ball Valve with Flag Handle
- G1810** Eyewash, Recess Deck Mounted, Push-Down Valve



**G1808**



**G1810**

**Application:** Eyewash for recessed mounting in countertop. Two GS-Plus™ spray-type outlet heads deliver a flood of water for rinsing eyes.

**Spray Head Assembly:** Two GS-Plus™ spray heads. Each head has a “flip top” dust cover, internal flow control and filter to remove impurities from the water flow.

**Valve:** 1/2" IPS brass stay-open ball valve. G1808 has valve mounted above counter and activated by flag handle. G1810 has valve mounted below counter and activated by push-down knob.

**Bowl:** 13" diameter flanged stainless steel bowl for recessed mounting in countertop. Furnished with all hardware necessary for installation in counter.

**Supply:** 1/2" NPT male inlet.

**Waste:** 1-1/4" NPT female outlet.

**Sign:** ANSI-compliant identification sign.

**Quality Assurance:** Unit is completely assembled and water tested prior to shipment.

### Available Options

- G6020** Thermostatic mixing valve precisely blends hot and cold water to deliver tepid water as required by ANSI Z358.1-2014. Refer to “Thermostatic Mixing Valves” section for complete technical and product selection information.
- DC** Stainless steel dust cover for each spray head.
- T** Chrome plated brass tailpiece and trap with 1-1/2" IPS waste connection.
- TP** 1-1/2" OD chrome plated brass tailpiece.



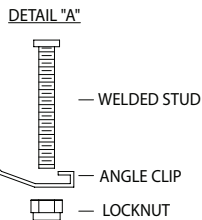
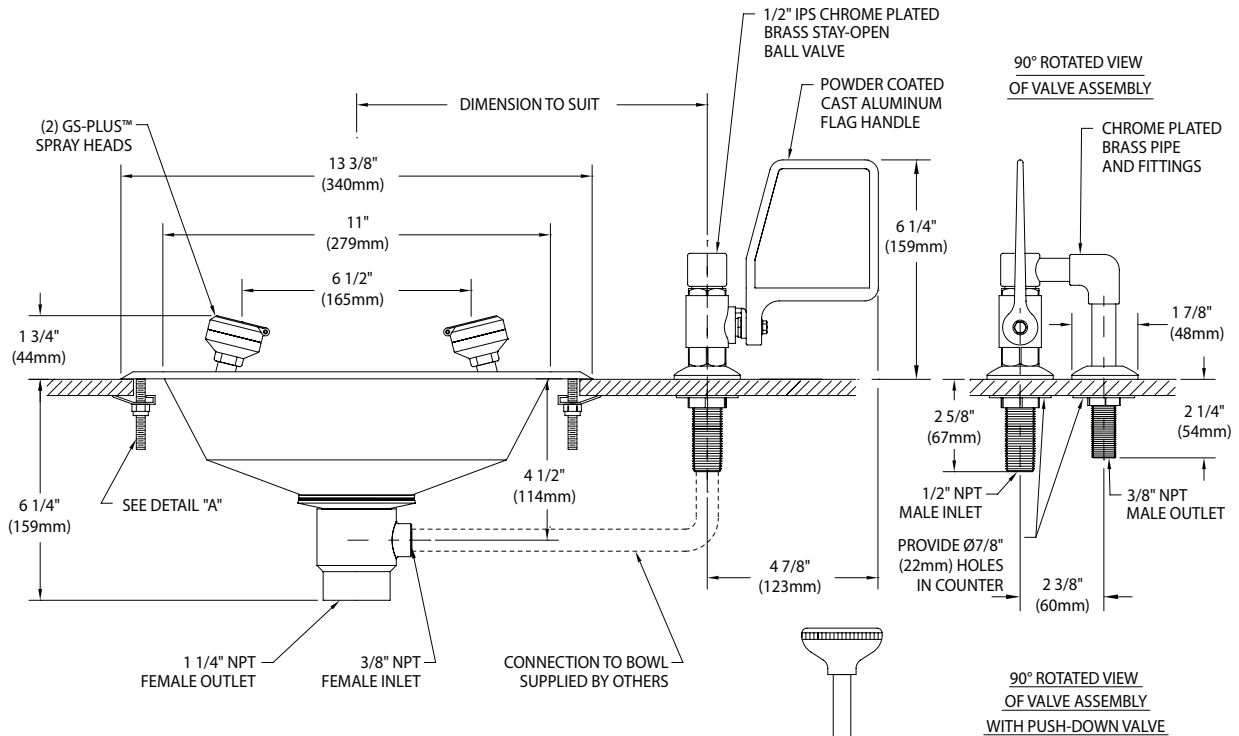
**G1808** Eyewash, Recess Deck Mounted, Ball Valve with Flag Handle

**G1810** Eyewash, Recess Deck Mounted, Push-Down Valve

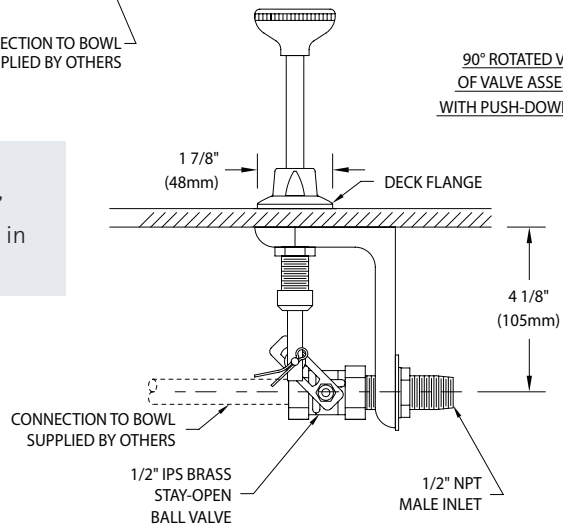
**NOTES:**

1. EACH GS-PLUS™ SPRAY HEAD HAS A "FLIP-TOP" DUST COVER, INTERNAL FLOW CONTROL AND FILTER TO REMOVE IMPURITIES FROM THE WATER FLOW.
2. UNIT FURNISHED COMPLETE WITH HARDWARE FOR MOUNTING ON COUNTERTOPS FROM 1/8" UP TO 1 1/2" THICK.
3. PROVIDE 12 1/2" ROUND CUT-OUT FOR BOWL.
4. UNIT SHOULD BE INSTALLED SO THAT WATER FLOW PATTERN IS POSITIONED BETWEEN 33" AND 53" ABOVE FLOOR.

**G1808**  
Provide (2) 7/8" diameter holes in countertop



**G1810**  
Provide 3/4" diameter hole in countertop



THIS SPACE FOR ARCHITECT/ENGINEER APPROVAL

Sign Included



Due to continuing product improvement, the information contained in this document is subject to change without notice. All dimensions are ± 1/4" (6mm). rev. 123019

